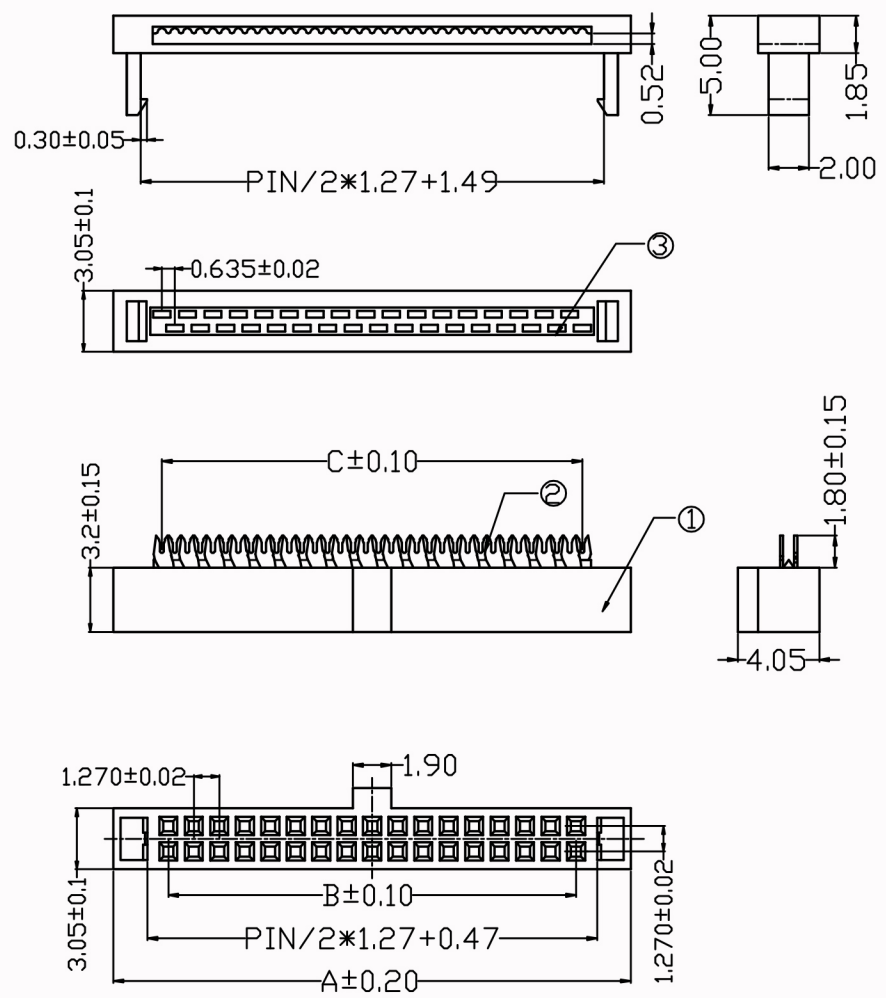


Specification:
 Contact Resistance: 20m Ohm Max.
 Insulation Resistance: 100M Ohm Min.
 Current Rating: 1A AC, DC.
 Voltage Rating: 250V AC, DC.
 Withstanding Voltage: 500V AC Min.
 Temperature Range: -40°C TO 105°C



I. D. C CONNECTOR PITCH 1.27*1.27

PINS	A	B	C		PINS	A	B	C	
6P	8.00	2.54	3.175		30P	23.24	17.78	18.145	
8P	9.27	3.81	4.445		34P	25.78	20.32	20.965	
10P	10.54	5.08	5.715		40P	29.59	24.13	24.675	
12P	11.81	6.35	6.985		44P	32.13	26.67	27.305	
14P	13.08	7.62	8.255		50P	35.94	30.48	31.115	
16P	14.35	8.89	9.525		52P	37.21	31.75	32.385	
18P	15.62	10.16	10.795		60P	42.29	36.83	37.465	
20P	16.89	11.43	12.065		64P	44.83	39.37	40.005	
22P	18.16	12.70	13.335		68P	47.37	41.91	42.545	
24P	19.43	13.97	14.605		80P	54.99	49.53	50.165	
26P	20.70	15.24	15.875		100P	67.69	62.23	62.865	
28P	21.97	16.51	17.145						

NO.	NAME	MATERIAL	FINISH	Q'TY
1	HOUSING	(UL94V-0)	BLACK	1
2	TERMINAL	PHOSPHOR BRONZE 0.15	NICKE OVERL GOLD PLATED 1U'	PINS
3	COVER	(UL94V-0)	BLACK	1

SIGNATURE	DATE	TITLE:		CODE NO.	TOLERANCE:	深圳市金晏科技有限公司
		1.27*1.27 IDC				
DRN.	GRP	2010/08/15	Q&T P/N:	SCALE	.x ±0.15	DRAWING NO.
CHK.				CUS. P/N:	UNIT	
APP.				PAGE	1/1	ANG.

